



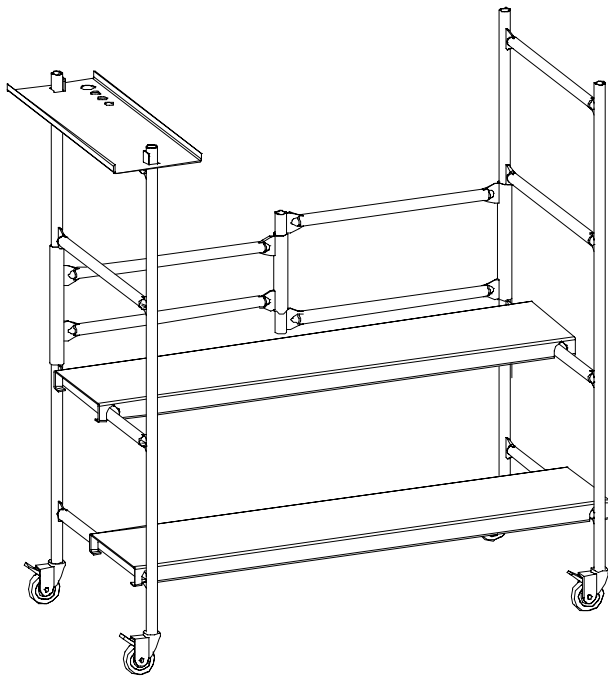
# MINI TOWER

---

## ADVANTAGE:

MULTI-PURPOSE

QUICK AND EASY - 1 PERSON INSTALLATION



## SPECIFICATIONS:

- 1"OD high strength square steel tube construction;
- 22"wide Tower rolls through a 30"doorway with ease;
- 4" Swivel double lock caster with stem;
- PVC powder coating surface;
- Unit weight: 55LBS.

## SIZE:

45-1/2"L x 50"H x 22"W

## SAFE LOAD CAPACITY:

500LBS